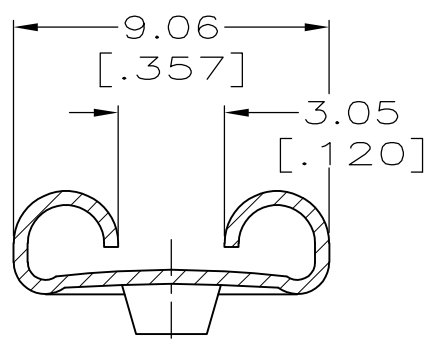
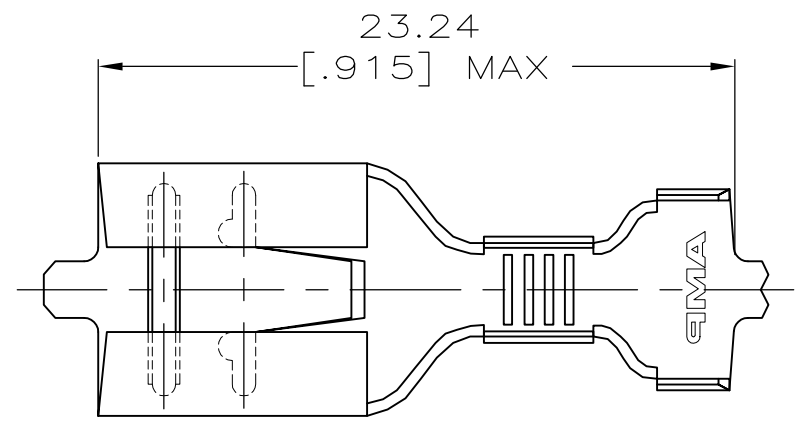
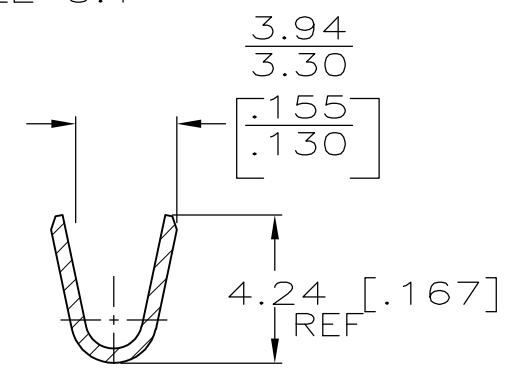
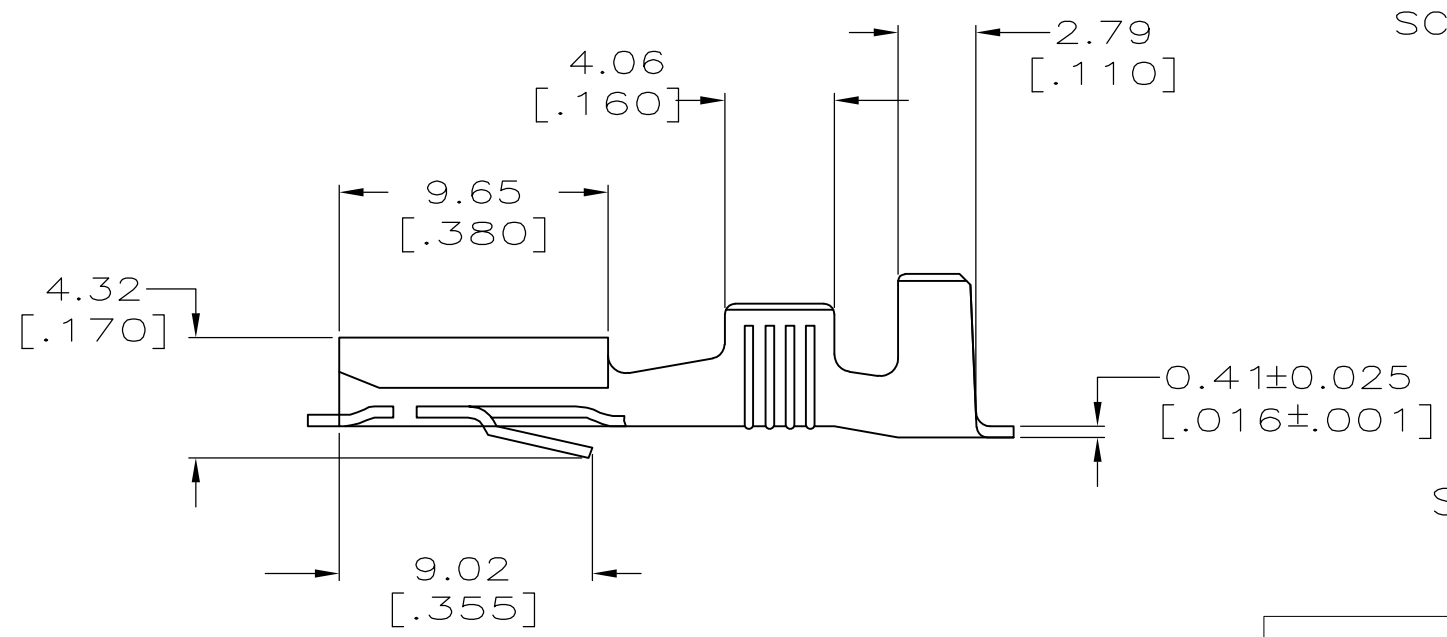


LOC	DIST	REVISIONS					
AF	50	P	LTR	DESCRIPTION	DATE	DWN	APVD
		J		REVISED PER ECR-13-005733	23AUG13	KH	PD

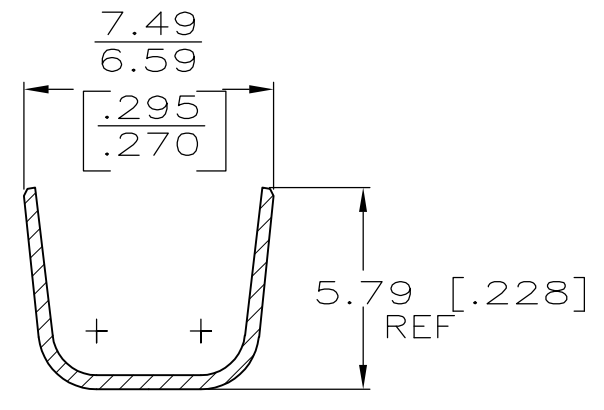


SECTION A-A
SCALE 5:1

1 CONTINUOUS STRIP ON REELS.



SECTION B-B
SCALE 5:1



SECTION C-C
SCALE 5:1

4.06 MAX OR (2) 3.30 DIA [.160 MAX OR (2).130 MAX]	[#16-#12] AWG	0.81 [.032]	42663-2
INSUL RANGE	WIRE SIZE	MATING TAB THK ±0.025 [.001]	PART NO

THIS DRAWING IS A CONTROLLED DOCUMENT.		DWN JR RUTH 2/15/94	TE Connectivity RECEPTACLE, FASTIN-FASTON, 7.92 [.312] SERIES			
DIMENSIONS: mm [INCHES]		CHK MS FEHER 2/15/94				
TOLERANCES UNLESS OTHERWISE SPECIFIED:		APVD J GILLESPIE 2/15/94				
0 PLC ± - 1 PLC ± - 2 PLC ± 0.38 [.015] 3 PLC ± - 4 PLC ± - ANGLES ± -		PRODUCT SPEC -	NAME			
MATERIAL BRASS	FINISH TIN	APPLICATION SPEC -	SIZE A3	CAGE CODE 00779	DRAWING NO C-42663	RESTRICTED TO -
CUSTOMER DRAWING			SCALE 4:1	SHEET 1 of 1	REV J	